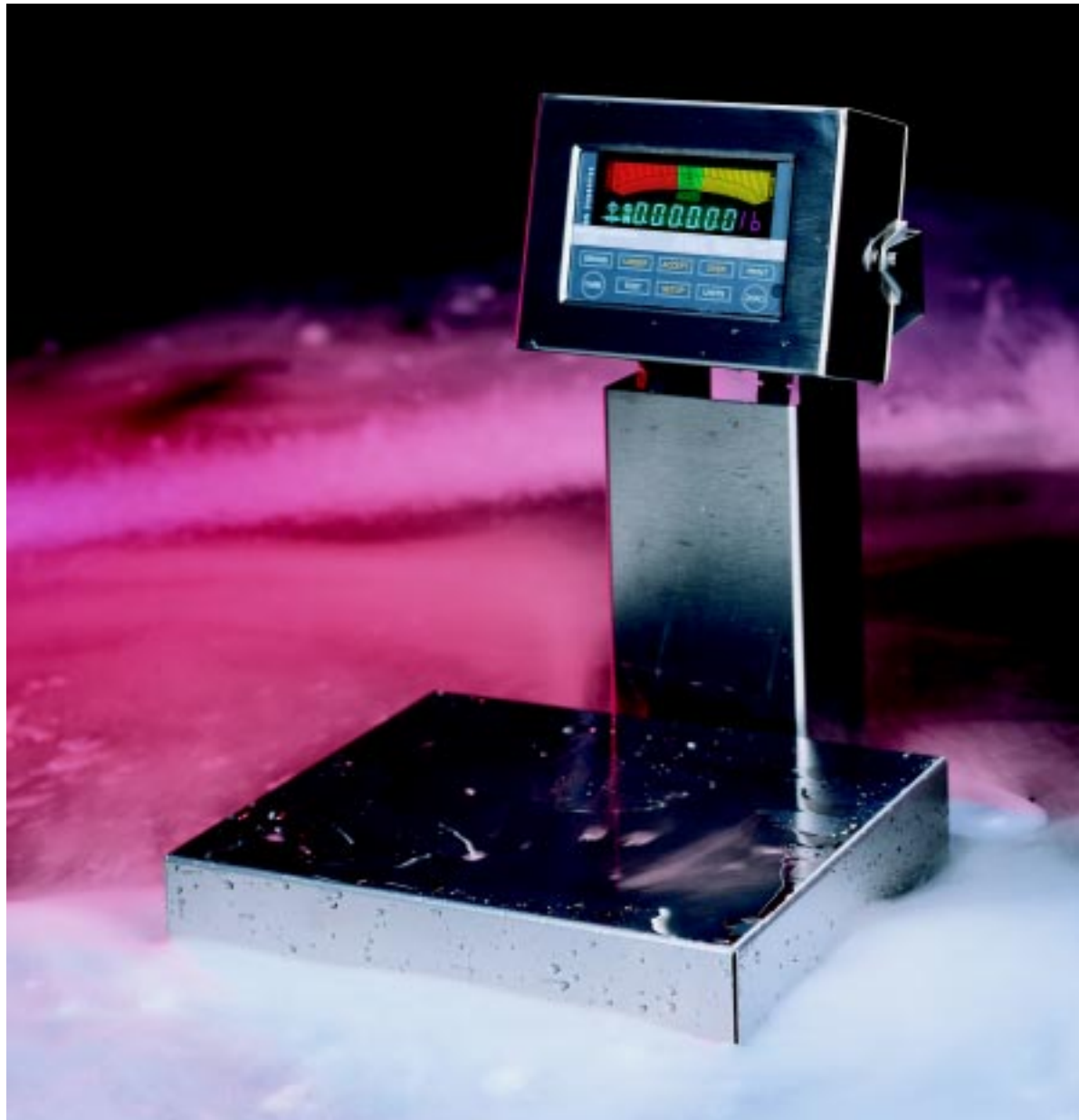


WEIGH-TRONIX



Model 3275 Checkweigher

Weigh-Tronix 3275 Checkweigher

Nobody has to tell you that fast and accurate checkweighing is crucial to your bottom line.

Underweight packages risk rejected shipments or costly rework. Overweight packages mean you're not getting paid in full for your product.

The answer to this problem is fast efficient checkweighing with the new Weigh-Tronix 3275 Checkweigher.

Remember the old mechanical checkweighers? The ones that took forever to settle and rarely gave the same reading twice?

The 3275 flashes immediate and accurate readings that won't slow your production line.

The 3275 allows precise monitoring of the machinery that dispenses your product and gives you the opportunity to fine-tune your operation for maximum performance and profitability. Its transaction counter automatically updates with each weighment, giving you daily, weekly, or monthly data on productivity.

The unique OVER & UNDER display accelerates grading and trimming. Grading to three zones is standard, while eight-zone grading is available for added flexibility.



Graphic display speeds checkweighing

Checkweighing has to be a "GO" "NO GO" procedure. The 3275's color-graphic display offers more information in a form that all operators can understand.

Acceptable weights produce a green display for immediate acceptance.

Red indications tell the operator to stop. This weight is too light.

Yellow indications alert the operator that your profits may be shrinking.

The degree of error, whether over or under, is indicated by the amount of red or yellow displayed.

Versatile display variations

Use only the digital display, and the 3275 becomes a standard washdown bench scale. Use only the graphic display, and the 3275 becomes a simple but powerful checkweigher. Use both for unmatched versatility and performance.

Simple setup

Front-panel controls make setup a snap. Display indicator lights guide you through the simple process of setting the target and tolerance weights.

Setting the target weight can be as simple as two quick presses of the SETUP button. Or use the OVER & UNDER buttons to scroll directly to target, tolerance or tare weights.

Adjustable display

The 3275 display housing is adjustable from vertical to a 20° tilt for optimum viewing and operator efficiency.

The display housing detaches easily from the 3275 for remote mounting.

Four units of measure

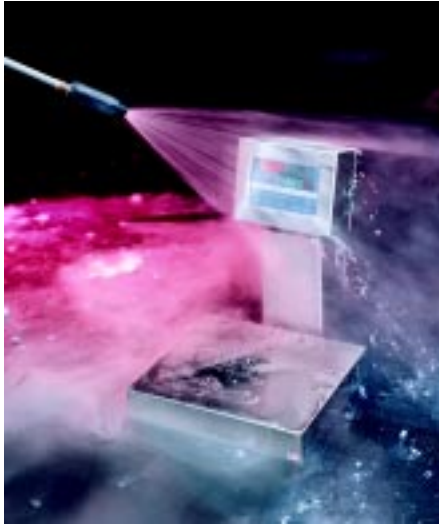
Simple front-panel selection of pounds, kilograms, ounces or grams increases your weighing versatility.

Filtering

Various filter and display update settings are available to match the 3275 to your individual application.

Built for tough environments

Over 15 years of experience in manufacturing electronic checkweighers for the food industry has taught Weigh-Tronix the importance of ruggedness and reliability. This fourth generation checkweigher has been tested by people just like you who demand the best performance in their equipment. And it passed their tests!



Model 3275 has proven highly resistant to rough handling and abuse with overload protection up to 500% of scale capacity.

The stainless-steel load cell is also highly immune to washdown in hot or cold environments.

The scale electronics and weight display are sealed in a stainless steel NEMA 4X enclosure.

Standard capacities of 6, 12, 30, 60 or 100 pounds

The extra capacity of each scale gives distinct advantages. For example, a standard five-pound package can be checkweighed on a six-pound scale without having to advance to the lower accuracy of a higher capacity scale.

Options

Remote control keypad

Security / speed / simplicity. Add security to your checkweighing operations. Disable setup controls on the 3275 and use the optional wireless remote keypad to change or enter all checkweighing values.

Speed up your setup process. Use the remote keypad for direct entry of checkweighing values from the digital keypad.

Simplify your changeover to the next product by combining the keypad with the multiple memory option and instantly recalling one of up to 99 different target weights.

Selectable resolutions

The 3275 comes standard with an accuracy of 3,000 divisions. Increased resolution of up to 5,000 divisions available when your application requires more precision.

Output offer added flexibility

RS-232 is available for interfacing with printers and other data-logging devices.

Bi-directional RS-232 output includes the ability to set target weights and tolerances from remote computers.

RS-485 is available for networking with other 3275s and computers to allow retrieval of weight values and

computer controlled programming of checkweighing values. An internal buffer speeds scale operation and prevents data loss if the remote device is temporarily off-line.

Software options

Optional 3275 SPC statistics packages allow quick and easy processing of quality control readings right on the processing line or back in your computer. Standard deviation, \bar{X} and R calculations, percentages and other statistical values are automatically printed while standard trends are quickly and clearly indicated on the 3275 digital display. Optional compact printers produce hard-copy records of test readings.

Display heights to suit your needs

Standard 3275s offer a minimum of 10 inches of clearance between the platform and the digital display. Lower and higher display heights are available to optimize operator performance.

Display options

The 3275 enclosure comes either attached to the base or removed



with 10 feet of load cell cable.

Specifications

Capacities and increments

Pounds	Ounces	Kilograms	Grams
6 x 0.001	100 x 0.02	3 x 0.0005	3,000 x 0.5
6 x 0.002	100 x 0.05	3 x 0.001	3,000 x 1
12 x 0.002	200 x 0.05	6 x 0.001	6,000 x 1
12 x 0.005	200 x 0.1	6 x 0.002	6,000 x 2
30 x 0.005	480 x 0.1	15 x 0.002	15,000 x 2
30 x 0.01	480 x 0.2	15 x 0.005	15,000 x 5
60 x 0.01	960 x 0.2	30 x 0.005	30,000 x 5
60 x 0.02	960 x 0.5	30 x 0.01	30,000 x 10
100 x 0.02	1600 x 0.5	45 x 0.01	45,000 x 10
100 x 0.05	1600 x 1.0	45 x 0.02	45,000 x 20

Overall dimensions:

6-lb and 12-lb scales: 8.75" W x 13.25" D x 18.2" H
30-lb, 60-lb and 100-lb scales: 13.7" W x 16.5" D x 18.2" H

Scale base dimensions:

6-lb and 12-lb scales: 8.75" W x 8.75" D x 3" H
30-lb, 60-lb and 100-lb scales: 13.7" W x 12.2" D x 3.3"

H

Display:

Four-color fluorescent display element with six-digit, .5-inch high weight display and forty-five multicolored segments for graphic display of OVER/UNDER/ACCEPT status.

Controls:

ZERO—with AZT
TARE—pushbutton or digital
GROSS--displays gross weight when tare is entered
PRINT—with motion-inhibit
TEST—to check all display segments
SETUP—to adjust scale operation
UNITS—to select unit of measure
OVER, UNDER and ACCEPT—to set target and tolerances

Overload protection: 500% of scale capacity

Corner load: 100% of scale capacity

Construction:

Stainless steel electronics enclosure is NEMA 4X.
Scale structure and load cell are stainless steel.

Agencies:

USDA
UL pending
NTEP (Requires NTEP approved load cell option)

Environment:

14° to 104°F (-10° to +40°C) Water washdown

Display /loadcell cable length: 24 inches

Power:

Standard: 117 VAC, ±10%
50/60 Hz, 15 watts max
Power cord length, 6 feet (1.8 meters)

Warranty: Two-year limited warranty applies



Weigh-Tronix Inc

1000 Armstrong Dr
Fairmont, MN 56031-1000, USA
Telephone +1 507-238-4461
Facsimile +1 507-238-4195
e-mail: industrial@weigh-tronix.com
www.weigh-tronix.com

Staveley Weighing & Systems Canada Inc

217 Brunswick Blvd
Pointe Claire, Quebec, Canada H9R 4R7
Telephone +1 514-695-0380
Facsimile +1 514-695-6820

WEIGH-TRONIX

Weighing Products & Systems

WEIGH-TRONIX

Optional 3275 Statistics Packages for Quality, Quantity and/or Process Control

Statistics Package No. 1—Standard Deviation Program

This program allows the 3275 to operate like a standard 3275 checkweigher. In addition it allows the operator to select the number of samples to be weighed; it prints sample weights and provides analysis of the samples.

The process is simple:

1. Set target and tolerance values as usual.
2. Press SETUP key and then the TEST key. The 3275 will display the previously selected number of samples.
3. Use the OVER or UNDER keys to scroll the display to the desired sample size (0 to 999). A selection of "0" will continue to collect sample data until the print key is pressed.
4. Press ACCEPT key to enter the new sample size.
5. Begin sample weighing. When the selected sample size is reached, the following statistical information will automatically print:

The value of each weightment (the deviation from target, if selected.)

The over tolerance

The under tolerance

The accept value

The number of weights over tolerance

The number of weights under tolerance

The number of weights within tolerance

The average weight

The highest weight

The lowest weight

The standard deviation

The coefficient of variance

The number of samples taken

Sample Printout:

RESET

0.300 lb

0.312 lb

0.310 lb

0.210 lb

0.510 lb

OVER = 0.010 lb

UNDR = 0.020 lb

ACPT = 0.300 lb

OVER = 2

UNDR = 1

ACPT = 2

AVG = 0.3284 lb

HIGH = 0.510 lb

LOW = 0.210 lb

SD = 0.110

CV = 33.5%

SS = 5

RESET

Note: The 3275 does not have to be hooked to a printer at all times. It will store all information necessary to print the statistical values. Individual sample weights are printed only if the printer is connected to the scale and is set to print at all times.

Note: The features listed below are unavailable with the Standard Deviation Program.

- Remote keypad operation
- Weigh meter diagnostics
- RS-485 operation
- 1155I printer interface
- Bidirectional RS-232 option

Statistics Package No. 2 \bar{x} /R Program

With this software package, the 3275 does not operate as a checkweigher. Instead it prompts the operator to enter information necessary for calculating \bar{x} and R values.

During setup, the operator enters:

Target value of the item to be checked.

Limit, which is a single value applied equally as an over and under limit

Sample size, the number of weighments (2 to 300) to be taken before the 3275 automatically calculates the \bar{x} and R values and checks for trends.

Data to print— \bar{x} and R and trend messages will always print. Operator selects whether to print individual weights from the sample.

During the sampling procedure, the scale display prompts the operator to place items on the scale. When the final sample is weighed and removed from the scale, the scale feeds the following data to the printer:

Individual weights (if selected)

\bar{x} and R values

Trend message

Note: The features listed below are unavailable with the \bar{x} /R Program.

- Remote keypad operation
- Weigh meter diagnostics
- RS-485 operation
- Model 1155I Printer interface
- Bidirectional RS-232 option

Sample Printout:

```
LIMIT = 0.2 oz
TARGET = 4.0 oz
        3.5 oz
        3.9 oz
        4.0 oz
        3.6 oz

 $\bar{x}$  = 3.8 oz  R = 0.5 oz
      2 of 3
```



Weigh-Tronix

1000 Armstrong Dr.
Fairmont, MN 56031 USA
Telephone: 507-238-4461
Facsimile: 507-238-4195
e-mail: industrial@weigh-tronix.com
www.weigh-tronix.com

Weigh-Tronix Canada, ULC

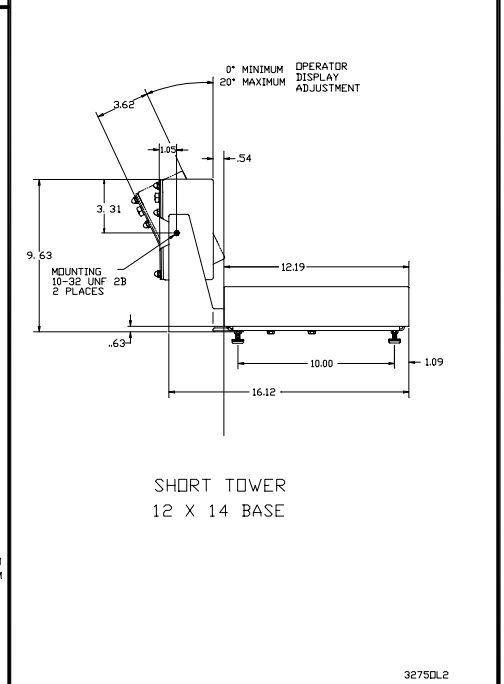
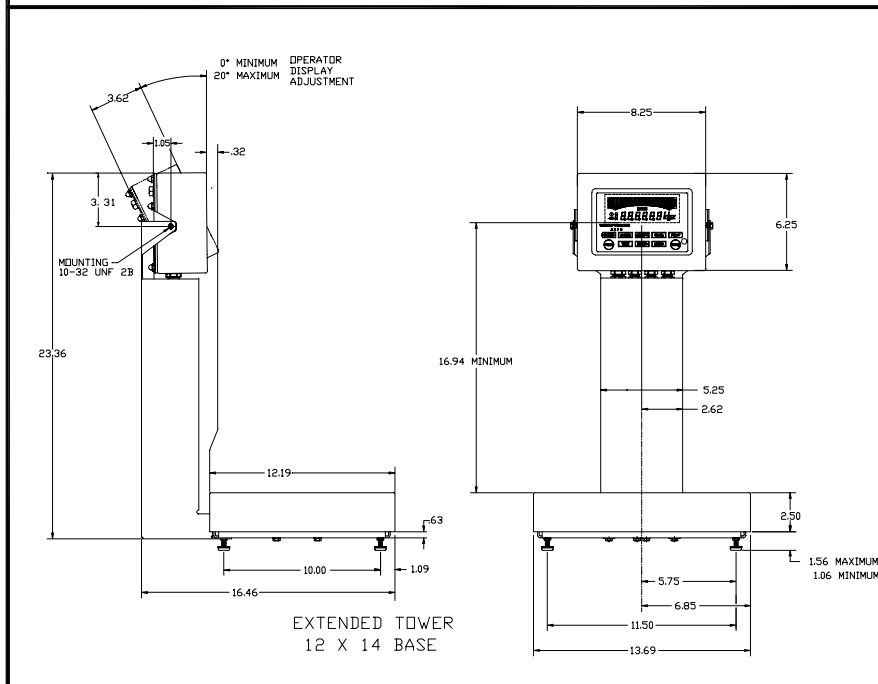
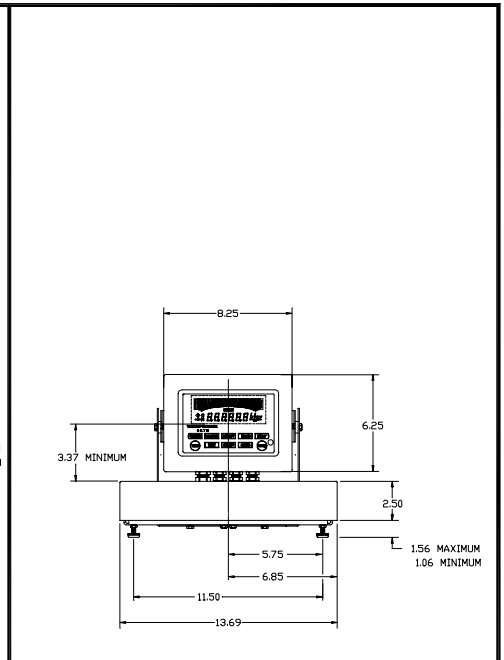
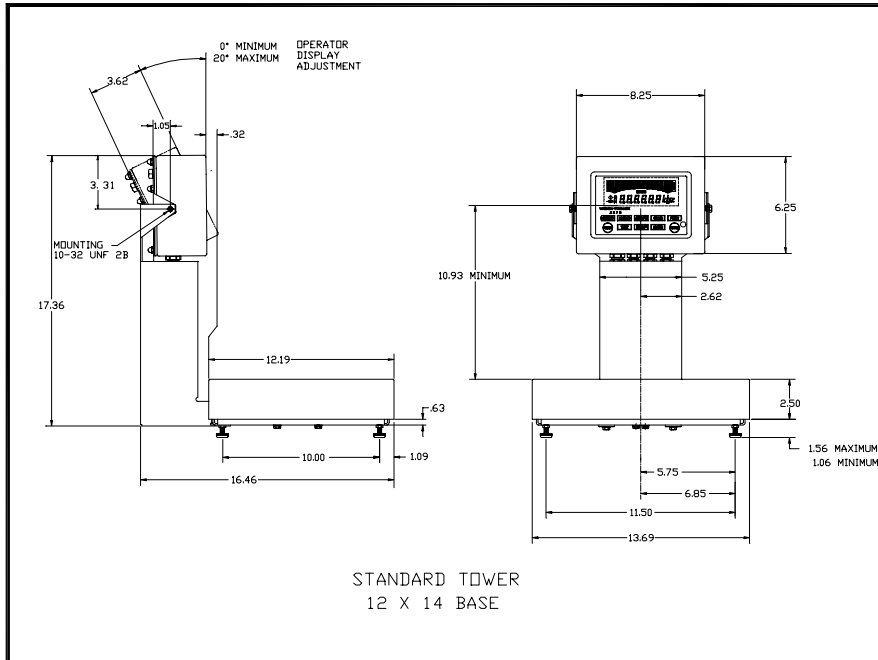
217 Brunswick Blvd.
Pointe Claire, QC H9R 4R7 Canada
Telephone: 514-695-0380
Facsimile: 514-695-6820

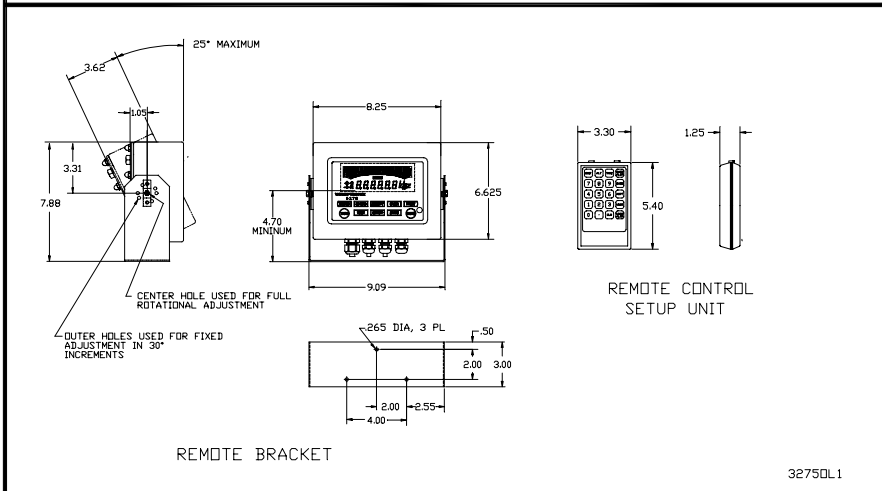
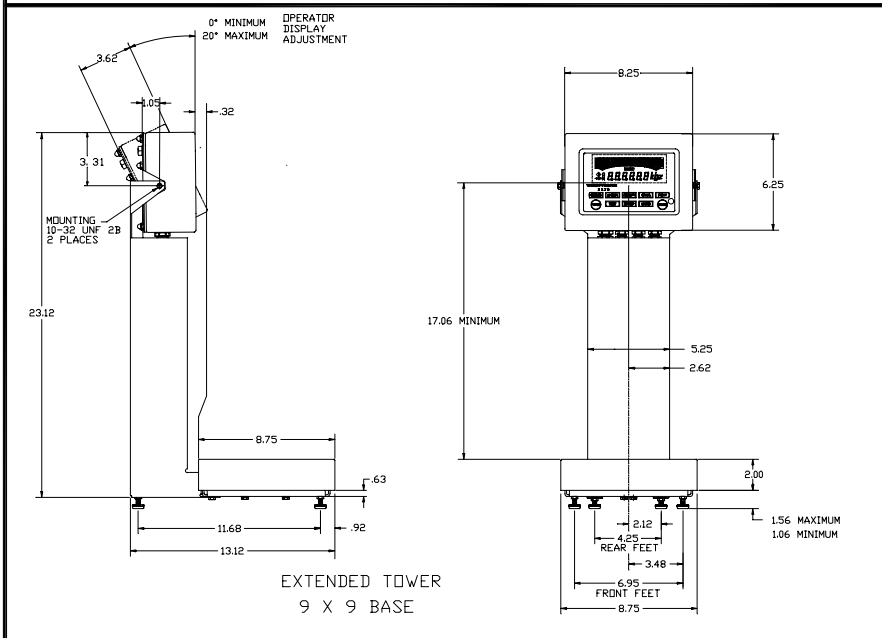
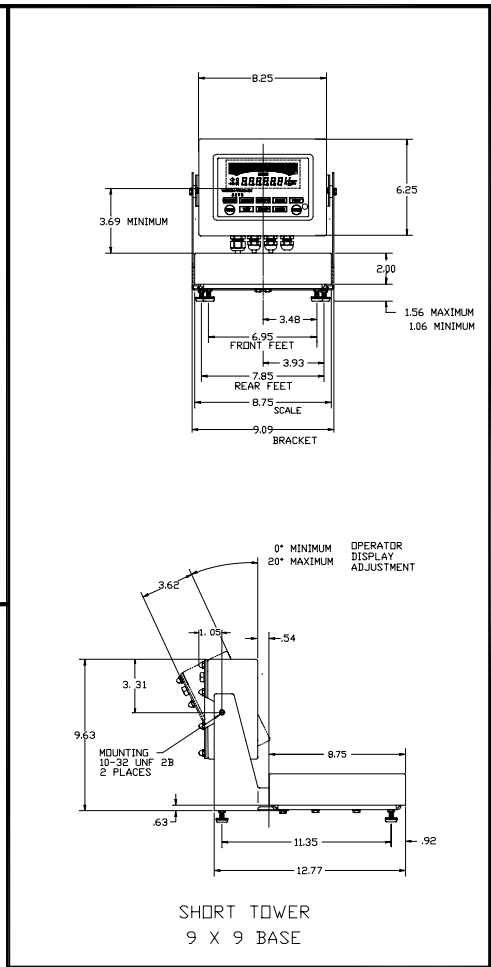
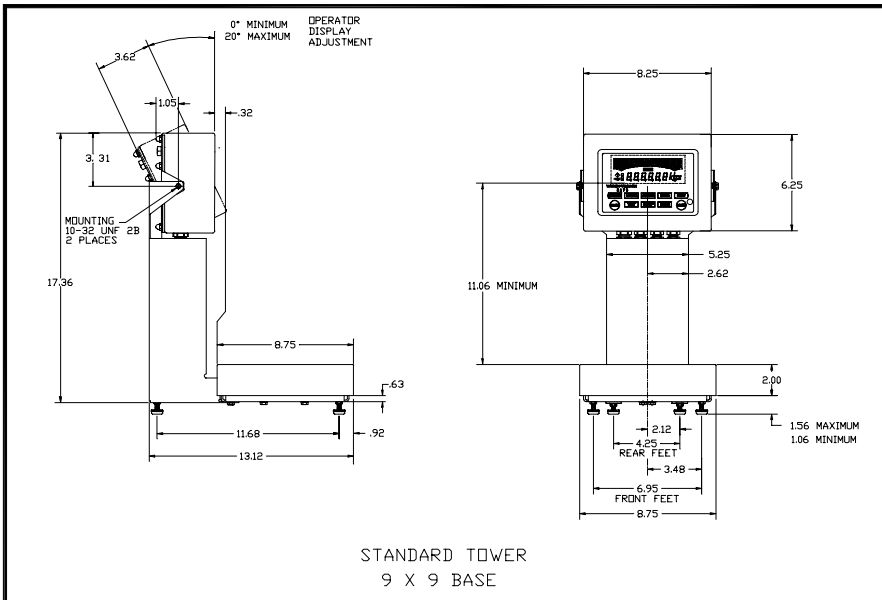
WEIGH-TRONIX

Weighing Products & Systems

WEIGH-TRONIX

3275 / QC3265 Checkweigher Dimensional Drawings





Weigh-Tronix Inc
1000 Armstrong Dr
Fairmont, MN 56031-1000, USA
Telephone +1 507-238-4461
Facsimile +1 507-238-4195

**Staveley Weighing & Systems
Canada Inc**

217 Brunswick Blvd.
Pointe Claire, Quebec, Canada H9R 4R7,
Telephone +1 514-695-0380
Facsimile +1 514-695-6820

WEIGH-TRONIX

Weighing Products & Systems