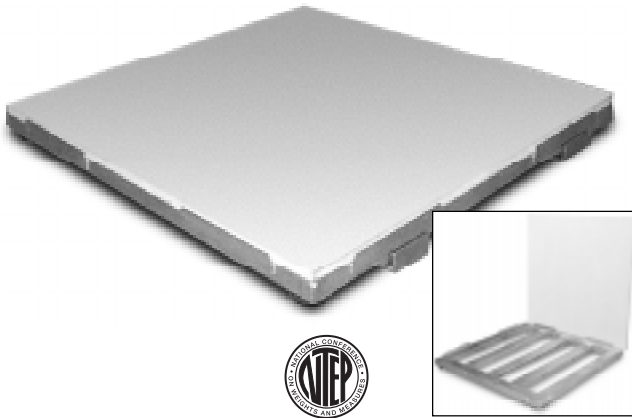


RoughDeck™ SD Sanitary Deck Floor Scale



SEE CHART ON BACK OF PAGE FOR PART #'S)

An easy-to-lift polyethylene top plate on the RoughDeck SD provides an efficient mechanism for busy cleanup personnel.

Ideal for food processing and other applications requiring frequent washdown, the RoughDeck SD provides easy underdeck cleaning by lifting the plastic top to gain access to the stainless steel understructure.

The RoughDeck SD features a rugged design, including 304 stainless steel construction and four stainless steel hermetically-sealed shear beam load cells. Adjustable SUREFOOT™ support feet provide superior accuracy and repeatability by accommodating side impacts and decreasing extraneous forces on the load cell.

Applications

- Washdown environment

Standard Features

- Rugged washdown design
- 304 stainless steel construction
- Removable polyethylene deck (Deck weight: 80 lb (36.6 kg) on 4' x 4' size)
- Four stainless steel hermetically-sealed shear beam load cells
- Load cells protected on all four sides
- Side brackets to hold deck during washdown
- Remote EL604 stainless steel NEMA 4X/IP66 junction box
- Four adjustable stainless steel SUREFOOT™ support feet
- 20 ft (6m) of SURVIVOR® EL147HE hostile environment load cell cable

Options/Accessories

- 28740 Floor stand for indicator, 36.3" high, stainless steel, suitable for IQ plus® 310A, IQ plus® 350, IQ plus® 355, IQ plus® 390, IQ plus® 590, IQ plus® 800, IQ700, IQ plus® 510, IQ plus® 710, UMC444 and UMC555

**FDA approved
polyethylene top material,
304 stainless steel
understructure**

IMPORTANT NOTE:

Applications where oily substances may be spilled could cause the deck to become slippery—caution should be used. The RoughDeck QC is recommended in these instances.

END LOAD CAPACITY:

100% full scale

mV/V OUTPUT:

1.50-1.87 mV/V nominal

CABLE LENGTH:

20 ft (6.1m)

REMOTE J-BOX:

Stainless steel enclosure can be located up to 10 ft away from scale

OVERALL DIMENSIONS:

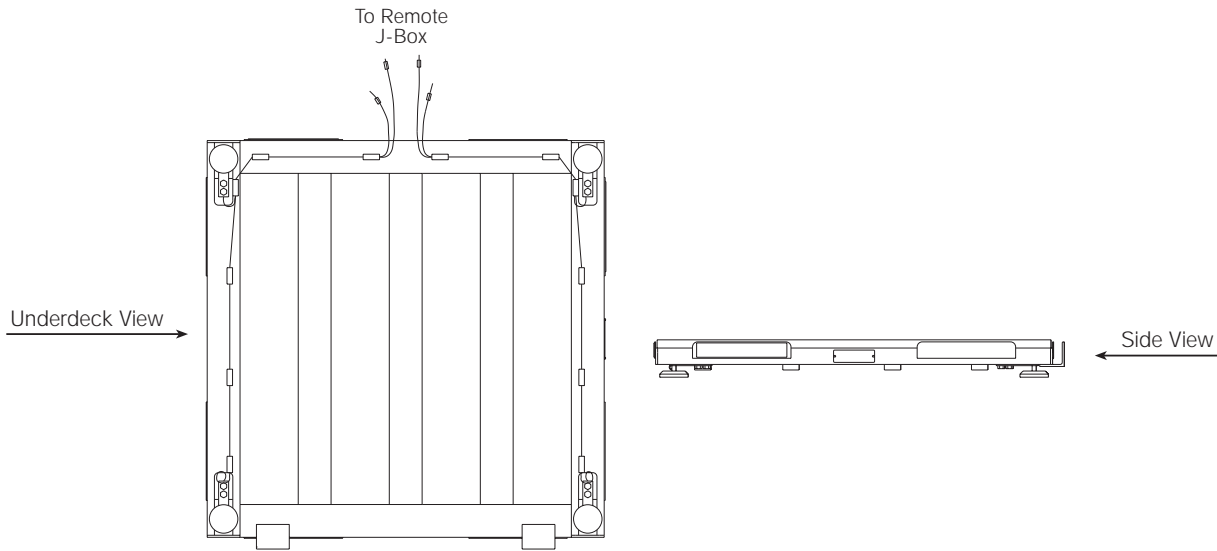
48" L x 48" W x 3.5" H
(1.2m L x 1.2m W x 89mm)

APPROVALS:

NTEP certified per H-44, Class III 5000d;
CC# 92-001A5

WARRANTY:

Two year limited warranty



ADDITIONAL SIZES AND CAPACITIES

All scales listed below are special orders. Consult factory for delivery time.

PART #	SIZE FT (M)	CAPACITY LB (KG)	SHIPT WT LB (KG)
50385	2.5' x 2.5' (.76 x .76)	2000 lb (1000 kg)	158 lb (71.6 kg)
50386	3' x 3' (.91 x .91)	2000 lb (1000 kg)	208 lb (94.3 kg)
50387	4' x 4' (1.21 x 1.21)	2000 lb (1000 kg)	338 lb (153.3 kg)
50388	4' x 4' (1.21 x 1.21)	5000 lb (2500 kg)	338 lb (153.3 kg)
50389	4' x 4' (1.21 x 1.21)	10,000 lb (5000 kg)	447 lb (202.7 kg)
50390	4' x 5' (1.21 x 1.52)	2000 lb (1000 kg)	406 lb (184.1 kg)
50391	4' x 5' (1.21 x 1.52)	5000 lb (2500 kg)	406 lb (184.1 kg)
50392	4' x 5' (1.21 x 1.52)	10,000 lb (5000 kg)	540 lb (244.9 kg)
50393	4' x 6' (1.21 x 1.82)	2000 lb (1000 kg)	477 lb (216.3 kg)
50394	4' x 6' (1.21 x 1.82)	5000 lb (2500 kg)	477 lb (216.3 kg)
50395	4' x 6' (1.21 x 1.82)	10,000 lb (5000 kg)	637 lb (288.9 kg)
50396	5' x 5' (1.52 x 1.52)	2000 lb (1000 kg)	478 lb (216.8 kg)
50397	5' x 5' (1.52 x 1.52)	5000 lb (2500 kg)	478 lb (216.8 kg)
50398	5' x 5' (1.52 x 1.52)	10,000 lb (5000 kg)	637 lb (288.9 kg)
50399	5' x 7' (1.52 x 2.13)	2000 lb (1000 kg)	705 lb (319.7 kg)
50400	5' x 7' (1.52 x 2.13)	5000 lb (2500 kg)	705 lb (319.7 kg)
50401	5' x 7' (1.52 x 2.13)	10,000 lb (5000 kg)	908 lb (411.8 kg)

Do not use this scale in a pit application.

IMPORTANT NOTE:

Applications where oily substances may be spilled could cause the deck to become slippery—caution should be used. The RoughDeck QC is recommended in these instances.