

Bench Scales

BenchMark™ HDP Portable Heavy Duty Bench Scales



Bench Scales



Standard Features

- Mild steel base construction
- 304 stainless steel cover
- Indicator stand for mounting IQ plus 355, IQ plus 390-DC, IQ plus 590-DC

Wheel Model

- Polyurethane rubber leveling feet with stainless steel stem
- 8" diameter perma rubber with ball bearing

Caster Model

- 3 1/2" diameter perma rubber two fixed, two swivel with lock

Specifications

LOAD CELL, NTEP - CERTIFIED:
Aluminum, environmentally sealed

OUTPUT IMPEDANCE:
350 ohms

MAXIMUM OVERLOAD:
200%

OVERLOAD PROTECTION:
Five-point, independently adjusted

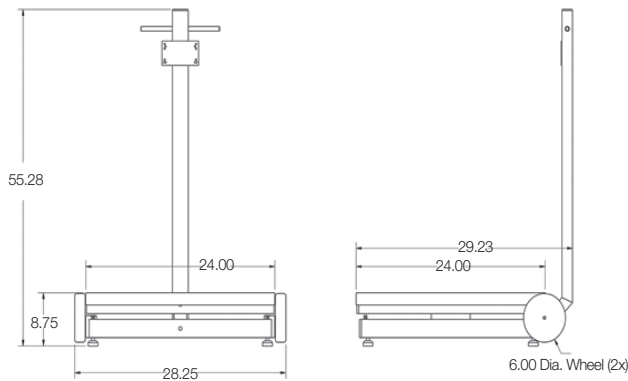
CABLE LENGTH:
10' (3 m)

COMPENSATED TEMPERATURE RANGE:
14°F to 104°F/-10°C to 40°C

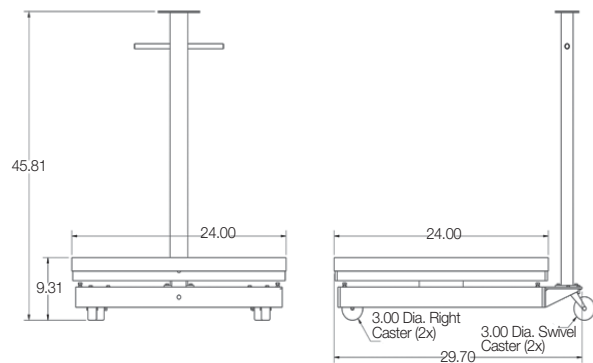
APPROVALS:
NTEP-certified 06-010A1, 5000 div

WARRANTY:
Two-year limited warranty

BENCHMARK™ HD		
PART#	CAPACITY	PLATFORM DIMENSIONS L X W X H
Wheel Model		
97072	250 lb.	24" x 24" x 8.75"
97073	500 lb.	24" x 24" x 8.75"
Caster Model		
97074	250 lb.	24" x 24" x 9.31"
97075	500 lb.	24" x 24" x 9.31"



Wheel Model



Caster Model

Specifications subject to change without notice

BenchMark™ HDP

Bench Scales

PART #	CAPACITY	PLATFORM DIMENSIONS	EST. SHIP WEIGHT	PRICE
Wheel Model				
97072	250 lb	24" x 24" x 8.75"	275 lb	\$1,575.00
97073	500 lb	24" x 24" x 8.75"	275 lb	1,575.00
Caster Model				
97074	250 lb	24" x 24" x 9.31"	290 lb	1,575.00
97075	500 lb	24" x 24" x 9.31"	290 lb	1,575.00