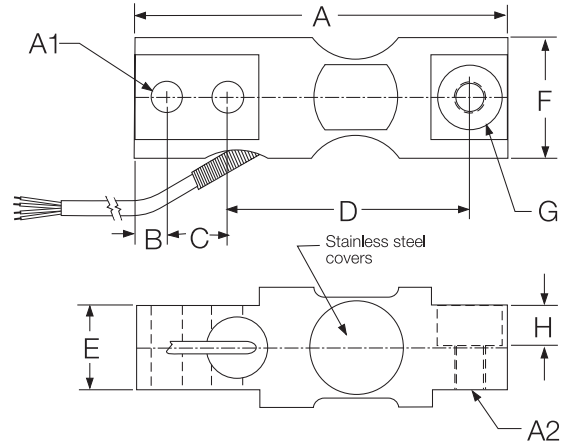


RL32155 Single-Ended Beam, Stainless Steel, IP67



Picture is a representation of actual product



RATED CAPACITY	DIMENSIONS									
	A	A1	A2	B	C	D	E	F	G	H
lb/inches 500-2000	6.13	.515	1/2 20 UNF-2B	.50	1.00	4.00	1.40	1.99	1.07 DIA.	.67
kg/mm 226.8-907.2	155.7	13.08	1/2 20 UNF-2B	12.7	25.4	101.6	35.6	50.5	27.2 DIA.	17.0

SPECIFICATIONS:

Full Scale Output:	2.0 mV/V	Seal Type:	Environmentally-sealed, IP67
Bridge Resistance:	440 ohms, nominal w/voltage applied	Cable Length:	15'4.6 m
Material/Finish:	Stainless steel	Cable Color Code:	White + Excitation Blue - Excitation Green + Signal Black - Signal Yellow + Sense Red - Sense Orange Shield
Temperature:	Compensated range 0°F to 150°F/-18°C to 65°C	Warranty:	2-year limited warranty
Safe Overload:	200% Full scale		
Rated Excitation:	6-15V DC		
Nonlinearity:	0.03% Full scale		
Hysteresis:	0.05% Full scale		
Insulation Resistance:	5000 megohms		

RL32155 ORDER INFORMATION

Load Rating	Part #	Price
500 lb (226.8 kg)	31914	\$625.00
1000 lb (453.9 kg)	31912	\$625.00
2000 lb (907.2 kg)	31913	\$625.00
Load Cup	31911	\$36.00

INTERCHANGEABLE PRODUCTS

Manufacturer	Model
Mettler-Toledo®	11785700A
Mettler-Toledo®	11785600A, 12744300B
Mettler-Toledo®	11786900A, 11788500A