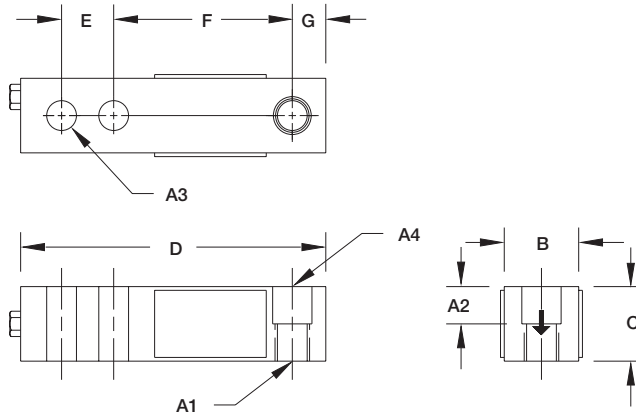


RL35023 Single-Ended Beam, Alloy Steel

NTEP 1:5000 Class III Multiple Cell, IP67



Picture is a representation of actual product



RATED CAPACITY	DIMENSIONS										
	A1	A2	A3	A4	B	C	D	E	F	G	
lb/inches											
500	1/2-20 UNF-2B	.50	.53	.53	1.25	1.00	5.12	1.00	3.00	.50	
1000-5000 SE	1/2-20 UNF-2B	.62	.53	.53	1.25	1.25	5.12	1.00	3.00	.50	
5000 LE-10,000	3/4-16 UNF-2B	.75	.78	.78	1.50	1.50	6.75	1.50	3.75	.78	
15,000-20,000	1-14 UNS-2B	1.00	1.03	1.03	2.00	2.00	8.88	2.00	4.88	1.03	
kg/mm											
226.8	1/2-20 UNF-2B	12.7	13.5	13.5	31.8	25.4	130.1	25.4	76.2	12.7	
453.6-2268.0 SE	1/2-20 UNF-2B	15.8	13.5	13.5	31.8	31.8	130.1	25.4	76.2	12.7	
2268.0 LE-4535.9	3/4-16 UNF-2B	19.1	19.8	19.8	38.1	38.1	171.5	38.1	95.3	20.7	
6803.9-9071.9	1-14 UNS-2B	25.4	26.2	26.2	50.8	50.8	225.6	50.8	124.0	25.0	

SPECIFICATIONS:

Full Scale Output: 3.0 mV/V
Bridge Resistance: 350 ohms, nominal
Material/Finish: High-alloy steel, nickel plated
Temperature: Compensated range 14°F to 104°F/-10°C to 40°C
Safe Overload: 150% Full scale
Rated Excitation: 10V DC (15V maximum)
Nonlinearity: 0.03% Full scale
Hysteresis: 0.02% Full scale
Insulation Resistance: 5000 megohms

Deflection at Capacity: 500-1000 lb = .013"/.3 mm, 2000-3000 lb = .015"/.4 mm, 4000-5000 lb = .025"/.6 mm, 10,000 lb = .035"/.9 mm
Seal Type: Environmentally-sealed, IP67
Cable Length: 20'/6.1 m
Cable Color Code: Red + Excitation
 Black..... - Excitation
 Green..... + Signal
 White - Signal
Warranty: 5-year limited warranty

RL35023 ORDER INFORMATION

Load Rating	Part #	Price
1,000 lb (453.6 kg)	21528	\$295.00
2,000 lb (907.2 kg)	21529	\$295.00
2,500 lb (1134.0 kg)	21530	\$295.00
3,000 lb (1360.8 kg)	21531	\$295.00
4,000 lb (1814.4 kg)	21532	\$295.00
5,000 lb SE (2268.0 kg)	21535	\$295.00
5,000 lb LE (2268.0 kg)	21533	\$375.00
10,000 lb (4535.9 kg)	21534	\$375.00

Non-NTEP

500 lb (226.8 kg)	17181	\$290.00
15,000 lb (6803.9 kg)	17186	\$645.00
20,000 lb (9071.9 kg)	17187	\$645.00

Conduit Adapter Kit* (must be factory installed to maintain warranty)
 3/8-24 Nipple31533*\$25.00
 3/8-24 to 1/4-18 NPT31534*\$25.00

INTERCHANGEABLE PRODUCTS

Manufacturer	Model
Vishay Celtron	(see page 188) SQB
Vishay Sensortronics	(see page 311) 65023
Artech	30310

WEIGH MODULE AVAILABLE

Model	Page #
RL50210 TA	30
RL1800 Series	42

SE refers to small envelope

LE refers to large envelope

* Parts #31533 and #31534 must be installed together to form the Conduit Adapter Kit