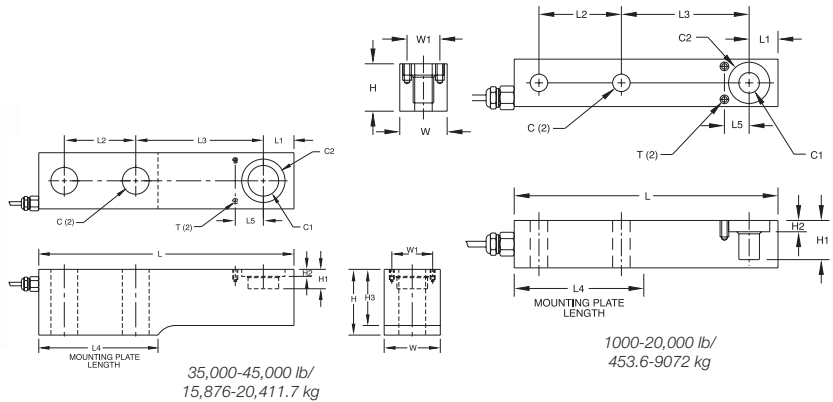


# RLSB2L/RLSB2M/RLSB2MLW Single-Ended Beam

## Hermetically-sealed, IP67, Alloy Steel/Stainless Steel with Blind Load Hole



Picture is a representation of actual product



RATED CAPACITY	DIMENSIONS															
	C	C1	C2	H	H1	H2	H3	L	L1	L2	L3	L4	L5	W	W1	T
<b>lb/inches</b>																
1000-5000	.53	.62	1.25	1.43	1.18	.34	—	8.00	.87	2.50	3.87	4.00	.75	1.43	1.00	8-32X.37DP
10,000	.84	.87	1.50	1.70	1.08	.39	—	9.25	.87	2.62	4.87	4.62	.87	1.68	1.12	10-32X.37DP
20,000	1.06	1.25	1.87	2.37	.81	.37	—	11.00	1.25	3.25	5.50	5.50	1.25	2.37	1.75	10-32X.37DP
35,000-45,000	1.31	1.50	2.12	3.22	.95	.37	2.75	12.50	1.50	3.50	6.25	5.84	1.37	2.75	2.00	10-32X.50DP
<b>kg/mm</b>																
453.6-2268.0	13.5	15.8	31.8	36.3	30.0	8.6	—	203.2	22.1	63.5	98.3	101.6	19.1	36.3	25.4	8-32X9.4DP
4535.9	21.3	22.1	38.1	43.2	27.4	9.9	—	235.0	22.1	66.6	123.7	117.4	22.1	42.7	28.5	10-32X9.4DP
9071.9	26.9	31.8	47.5	60.2	20.8	9.4	—	279.4	31.8	82.6	139.7	139.7	31.8	60.2	44.5	10-32X9.4DP
15,875.7	33.3	38.1	53.9	69.9	24.1	9.4	—	317.5	38.1	88.9	158.8	152.4	34.8	69.9	50.8	10-32X12.7DP
20,411.7	33.3	38.1	53.9	81.8	24.1	9.4	69.9	317.5	38.1	88.9	158.8	148.3	34.8	69.9	50.8	10-32X12.7DP

### SPECIFICATIONS:

<b>Full Scale Output:</b>	2.0 mV/V ± .07% (Matched)	<b>Insulation Resistance:</b>	10000 megohms
<b>Bridge Resistance:</b>	350 ohms, nominal (RLSB2L) 2000 ohms (RLSB2M, 45,000 lb)	<b>Seal Type:</b>	35,000 & 45,000 lb/15,875.7 & 20,411.7 kg, Hermetically-sealed, IP67
<b>Material/Finish:</b>	1000-20,000 lb - Stainless steel 35,000-45,000 lb - High-alloy steel, epoxy coated	<b>Cable Length:</b>	1000-20,000 lb=20'/3.1 m, 10,000-20,000 lb=15'/4.6 m, 35,000-45,000 lb=30'/9.2 m
<b>Temperature:</b>	Compensated range 15°F to 115°F/-9°C to 46°C	<b>Cable Color Code:</b>	Green ..... + Excitation Black ..... - Excitation White ..... + Signal Red ..... - Signal
<b>Safe Overload:</b>	150% Full scale	<b>Warranty:</b>	2-year limited warranty
<b>Rated Excitation:</b>	10V DC (15V maximum)		
<b>Nonlinearity:</b>	0.03% Full scale		
<b>Hysteresis:</b>	0.03% Full scale		

### RLSB2L/RLSB2M/RLSB2MLW ORDER INFORMATION

Load Rating	Part #	Price
<b>RLSB2MLW</b>		
1000 lb (453.6 kg)	92798	\$865.00
3000 lb (1360.8 kg)	92799	\$865.00
5000 lb (2268.0 kg)	92800	\$865.00
10,000 lb (4535.9 kg)	92801	\$1,395.00
20,000 lb (9071.9 kg)	92802	\$1,395.00
<b>RLSB2L</b>		
*35,000 lb (15,875.7 kg)	65234	\$1,495.00
45,000 lb (20,411.7 kg)	22279	\$1,565.00
<b>RLSB2M</b>		
*45,000 lb (20,411.7 kg) 2000ohm ..	31915	\$1,565.00

### INTERCHANGEABLE PRODUCTS

Manufacturer	Model	Capacity
Masstron®	ML4311	1000 lb (453.6 kg)
Masstron®	ML4331	3000 lb (1360.8 kg)
Masstron®	ML4350	5000 lb (2268.0 kg)
Masstron®	ML4410	10,000 lb (4535.9 kg)
Masstron®	ML4420	20,000 lb (9071.9 kg)
Masstron®	ML4437	35,000 lb (15,875.7 kg)
Masstron®	ML4447	45,000 lb (20,411.7 kg)
Masstron®	ML4449	45,000 lb (20,411.7 kg)

<b>Load Cell Spacer</b>		
Spacer (20k)	100117	\$25.00
Spacer (1-5k)	100750	\$35.00

\* Hermetically-sealed

[www.ricelake.com/loadcells](http://www.ricelake.com/loadcells)

USA: 800-472-6703 • CANADA/MEXICO: 800-321-6703 • INTERNATIONAL: 715-234-9171

© 2007 Rice Lake Weighing Systems • November 15, 2007 • Prices and specifications subject to change without notice. Visit [ricelake.com/loadcells](http://ricelake.com/loadcells) for current prices.