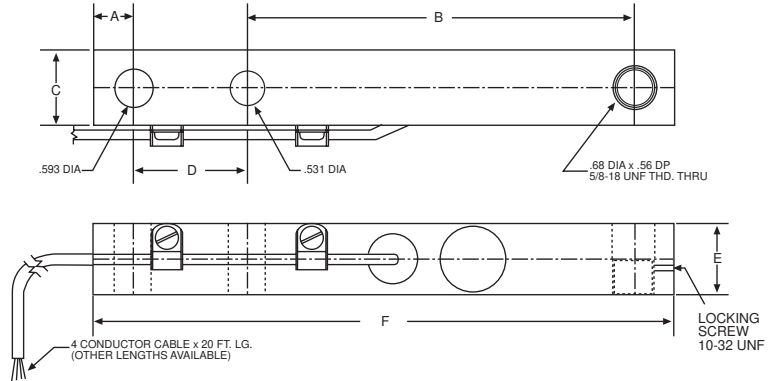
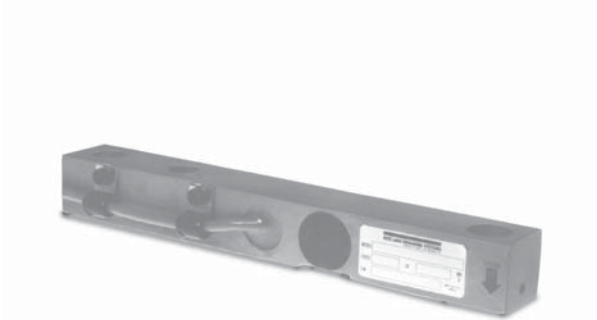


RLSBF Single-Ended Beam, Stainless Steel, IP67



Picture is a representation of actual product

RATED CAPACITY	DIMENSIONS					
	A	B	C	D	E	F
lb/inches 1500-2500	.63	6.00	1.19	1.75	1.13	9.00
kg/mm 680.4-1134.0	16.0	152.4	30.2	44.4	28.7	228.6

SPECIFICATIONS:

Full Scale Output: 3.0 mV/V
Bridge Resistance: 1000 ohms, nominal
Material/Finish: Stainless steel
Temperature: Compensated range
 0°F to 150°F/-18°C to 65°C
Safe Overload: 200% Full scale
Rated Excitation: 10V DC (15V maximum)
Nonlinearity: 0.03% Full scale
Hysteresis: 0.05% Full scale

Insulation Resistance: >2000 megohms
Seal Type: Environmentally-sealed, IP67
Cable Length: 20'/6.1 m
Cable Color Code: Green.....+ Excitation
 Black.....- Excitation
 White.....+ Signal
 Red.....- Signal
 Orange.... Shield
Warranty: 2-year limited warranty

RLSBF ORDER INFORMATION

Load Rating	Part #	Price
1500 lb (680.4 kg)	53284	\$615.00
2500 lb (1134.0 kg)	53283	\$615.00
Load Cup	69400	\$35.00
Locking Screw	14929	\$1.00

INTERCHANGEABLE PRODUCTS

Manufacturer	Model
Fairbanks®	3-48424-X, 3-48363-1A
HBM	SBF