

DIGI® DS-470SS



Standard Features

- Stainless steel construction
- Indicator features three large fluorescent displays
- Full numeric keyboard
- Set target by weight or percentage variance – LO/OK/HI
- Selectable weight units (lb, oz, g, kg)
- Numeric tare entry or pushbutton entry
- Two standard interfaces, RS-232 for computers or setpoint I/F for PLC controllers

Specifications

DISPLAY:

Weight: Six-digits, 0.5" (13 mm) character height, VFD
Min. and Max: Five-digits, 0.3" (7 mm) character height

WEIGHT SENSOR:

Load cell

DISPLAY RESOLUTION:

1/3000, 1/6000, 1/7500, 1/12,000, 1/15,000 (selectable)

INTERNAL RESOLUTION:

1/600,000

POWER SOURCE:

100–120 VAC (50/60 Hz)

POWER CONSUMPTION:

13 W

APPROVALS:

NTEP-certified per H-44, Class III, 6000d, CC#02-110
Measurement Canada AM-5469

WARRANTY:

Two-year limited warranty

DIGI DS-470SS

PART #	DESCRIPTION	CAPACITY	PLATFORM DIMENSIONS	EST. SHIP WEIGHT
74346	DS-470SS	6 lb x 0.001 lb, 3 kg x 0.001 kg, 3,000 g x 1 g, 96 oz x 0.02	9" x 13"	32 lb (14 kg)
74347	DS-470SS	12 lb x 0.002 lb, 6 kg x 0.001 kg, 6,000 g x 1 g, 192 oz x 0.05 oz	11" x 14"	34 lb (15 kg)
74348*	DS-470SS	30 lb x 0.005 lb, 15 kg x 0.002 kg, 15,000 g x 2 g, 480 oz x 0.1 oz	11" x 14"	34 lb (15 kg)
74349	DS-470SS	60 lb x 0.01 lb, 30 kg x 0.005 kg, 30,000 g x 5 g, 960 oz x 0.2 oz	11" x 14"	34 lb (15 kg)

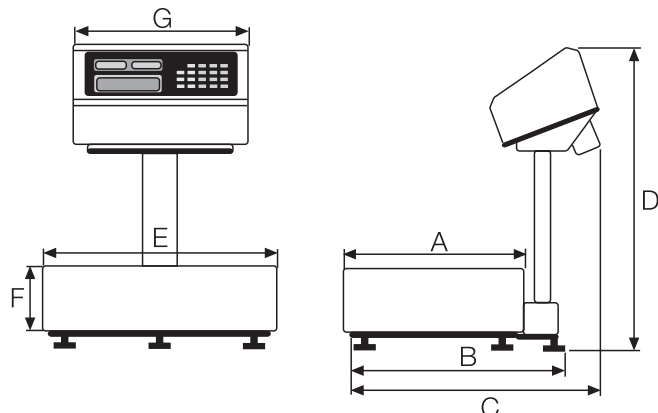
* Measurement Canada Approved

Options/Accessories

73364 Additional operation manual

DIMENSIONS

A = 10.9" (262 mm)	B = 12.3" (312 mm)
C = 14" (355 mm)	D = 17.6" (445 mm)
E = 14.2" (360 mm)	F = 3.6" (91 mm)
G = 10.3" (262 mm)	



DIGI® DS-470SS

PART#	DESCRIPTION	CAPACITY	PLATFORM DIMENSIONS	EST. SHIP WEIGHT	PRICE
74346 DS-470SS 6 lb x 0.001 lb, 3 kg x 0.001 kg, 3000 g x 1 g, 96 oz x 0.02	9" x 13"	32 lb (14 kg)	\$1,095.00
74347 DS-470SS 12 lb x 0.002 lb, 6 kg x 0.001 kg, 6000 g x 1 g, 192 oz x 0.05 oz	11" x 14"	34 lb (15 kg)	1,095.00
74348* DS-470SS 30 lb x 0.005 lb, 15 kg x 0.002 kg, 15000 g x 2 g, 480 oz x 0.1 oz	11" x 14"	34 lb (15 kg)	1,095.00
74349 DS-470SS 60 lb x 0.01 lb, 30 kg x 0.005 kg, 30000 g x 5 g, 960 oz x 0.2 oz	11" x 14"	34 lb (15 kg)	1,095.00

Options/Accessories

73364Additional operating manual				25.00
76559Cable 8pin DIN (DIGI side) 9pin Dsub female (PC side)				50.00

* Measurement Canada Approved