

## DeckHand *Portable Scale*



Shown with optional ramp

### Standard Features

- Mild or stainless steel frame, base, and mast
- 500 lb, 1,000 lb, 2,000 lb capacity
- One-person portability
- Large rubber wheels simplify movement on uneven floors
- Aluminum load cells (2)
- Treaded top plate
- Standard indicator mount with integral handles for the IQ plus 355, IQ plus® 390-DC, IQ plus® 510, IQ plus® 590-DC, IQ plus® 710, IQ plus®, and IQ 700.

### Specifications

#### DECKHAND PORTABLE SCALE

##### END LOAD CAPACITY:

100% end loading

##### mV/V OUTPUT:

2 mV/V

##### CABLE LENGTH:

9' 10" (3 m)

##### HEIGHT:

Weighing platter: 4.5" H when in weigh mode

##### COLUMN HEIGHT:

59"

##### APPROVALS:

NTEP-certified, CC# 98-004, Class III, 2500d  
Measurement Canada approved, AM-5218

##### WARRANTY:

One-year limited warranty

*Please refer to indicator section for IQ plus 590-DC specifications*

## DeckHand *Rough-n-Ready System*



Shown with optional ramp

### Standard Features

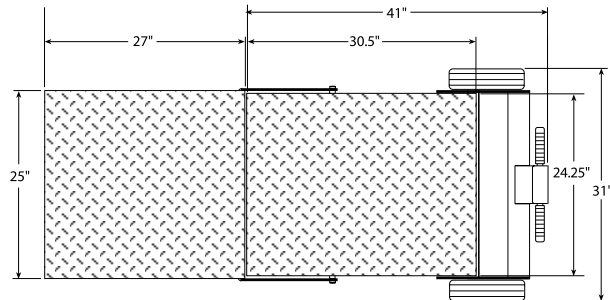
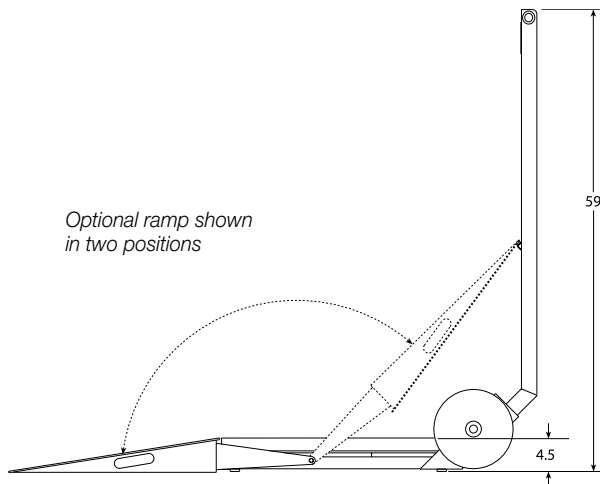
- Mild steel wheeled frame, base, and mast
- 500 lb, 1,000 lb, 2,000 lb capacity
- One-person portability
- Large rubber wheels simplify movement on uneven floors
- Aluminum load cells (2)
- Treaded top plate
- Package includes: Mild steel DeckHand Portable Scale and IQ plus® 590-DC indicator
- Battery life 40 hours continuous
- Factory-wired and calibrated

See page I-8 for Indicator specifications.

# DeckHand & DeckHand *Rough-n-Ready* System

## Specifications (continued)

Floor Scales



### DECKHAND PORTABLE SCALE — SCALE ONLY

PART #	MODEL	OVERALL SIZE (W x L x H)	CAPACITY	EST. SHIP WT
<b>Mild Steel</b>				
41293	DH-500	31" x 41" x 4.5"	500 lb (226.8 kg)	336 lb (152 kg)
41294	DH-1000	31" x 41" x 4.5"	1,000 lb (453.6 kg)	356 lb (161 kg)
41295	DH-2000	31" x 41" x 4.5"	2,000 lb (907.2 kg)	373 lb (169 kg)
<b>Stainless Steel</b>				
41296	DH-500	31" x 41" x 4.5"	500 lb (226.8 kg)	336 lb (152 kg)
41297	DH-1000	31" x 41" x 4.5"	1,000 lb (453.6 kg)	356 lb (161 kg)
41298	DH-2000	31" x 41" x 4.5"	2,000 lb (907.2 kg)	373 lb (169 kg)

### DECKHAND *ROUGH-N-READY* SYSTEM — SCALE AND INDICATOR PACKAGE

PART #	DECKHAND CAPACITY	OVERALL SIZE (W x L x H)	INDICATOR	EST. PACKAGE SHIP WEIGHT*
<b>Mild Steel Only</b>				
69525	500 lb x 0.2 lb	31" x 41" x 4.5"	IQ plus 590-DC, 115 VAC	343 lb (155 kg)
69526	1,000 lb x 0.5 lb	31" x 41" x 4.5"	IQ plus 590-DC, 115 VAC	363 lb (164 kg)
69527	2,000 lb x 1.0 lb	31" x 41" x 4.5"	IQ plus 590-DC, 115 VAC	380 lb (172 kg)
69528	500 lb x 0.2 lb	31" x 41" x 4.5"	IQ plus 590-DC, 230 VAC	343 lb (155 kg)
69529	1,000 lb x 0.5 lb	31" x 41" x 4.5"	IQ plus 590-DC, 230 VAC	363 lb (164 kg)
69530	2,000 lb x 1.0 lb	31" x 41" x 4.5"	IQ plus 590-DC, 230 VAC	380 lb (172 kg)

\* Approximate weight for scale and indicator.

# DeckHand & DeckHand Rough-n-Ready System

PART #	OVERALL SIZE (W X L X H)	CAPACITY	EST. SHIP WEIGHT	PRICE
<b>DeckHand Portable Scale (Scale Only)</b>				
<b>Mild Steel</b>				
41293	31" x 41" x 4.5"	500 lb	336 lb	\$2,050.00
41294	31" x 41" x 4.5"	1,000 lb	356 lb	2,050.00
41295	31" x 41" x 4.5"	2,000 lb	373 lb	2,150.00
<b>Stainless Steel</b>				
41296	31" x 41" x 4.5"	500 lb	336 lb	3,190.00
41297	31" x 41" x 4.5"	1,000 lb	356 lb	3,190.00
41298	31" x 41" x 4.5"	2,000 lb	373 lb	3,390.00
<b>DeckHand Rough-n-Ready System (Scale and Indicator Package)</b>				
<b>Mild Steel w/IQ plus 590-DC, 115 VAC Indicator</b>				
69525	31" x 41" x 4.5"	500 lb	343 lb*	2,625.00
69526	31" x 41" x 4.5"	1,000 lb	363 lb*	2,625.00
69527	31" x 41" x 4.5"	2,000 lb	380 lb*	2,725.00
<b>Mild Steel w/IQ plus 590-DC, 230 VAC Indicator</b>				
69528	31" x 41" x 4.5"	500 lb	343 lb*	2,625.00
69529	31" x 41" x 4.5"	1,000 lb	363 lb*	2,625.00
69530	31" x 41" x 4.5"	2,000 lb	380 lb*	2,725.00
<b>Options/Accessories</b>				
<b>DeckHand Portable Scale &amp; DeckHand Rough-n-Ready System</b>				
43376	Ramp assembly, 500/1,000 lb, mild steel, 25" x 27"		100 lb	215.00
43378	Ramp assembly, 2,000 lb, mild steel, 25" x 27"		100 lb	260.00
43978	Additional DeckHand operating manual			25.00
<b>DeckHand Portable Scale only</b>				
89576	Clam shell for 1,260 load cell, stainless steel			170.00
43377	Ramp assembly, 500/1,000 lb, stainless steel, 25" x 27"			645.00
43379	Ramp assembly, 2,000 lb, stainless steel, 25" x 27"			750.00
<b>DeckHand Portable Scale Optional Indicator Mounts</b>				
41371	Mounting bracket for IQ 700 IS, 320IS with battery option stainless steel			90.00
43938	Mounting bracket for CW-80-I, stainless steel			90.00
N/A	Smooth top			N/C

\* Approximate weight for scale and indicator