

Floor/Lift Truck/Pallet Scales

RoughDeck™ BDP Barrel Scale – Standard Model with Portability Option



Standard Features

- Live siderails
- Top access foot adjustment holes (holes are 1/2-13 threaded for lifting scale)
- Four adjustable stainless steel SUREFOOT™ support feet
- 30" x 31" or 36" x 37" weighing surface (not including side rails)
- TuffSeal® JB4SS Stainless Steel, NEMA 4X junction box with signal trim card
- Three-year limited warranty

Mild Steel Models

- Treaded top plate
- Alloy steel load cells

Stainless Steel Models

- Smooth top plate
- Stainless steel or stainless steel with welded-seal (IP67) load cells

Approvals



Measurement
Canada
Approved

Specifications

END LOAD CAPACITY:

1,000 lb: 100% full scale
2,500 lb: 80% full scale

CABLE LENGTH:

10' (3 m)

APPROVALS:

NTEP-certified CC#03-060
Measurement Canada Approved:
AM5578

WARRANTY:

Three-year limited warranty

ROUGHDECK BDP SCALE

PART #	PLATFORM SIZE (W x L)	CAPACITY	EST. SHIP WT
Mild Steel (Canadian Approved Capacities in parenthesis)			
77962	30" x 31"	1,000 lb (500 kg)	205 lb
77963	30" x 31"	2,500 lb (1,000 kg)	205 lb
77964	36" x 37"	1,000 lb (500 kg)	265 lb
77965	36" x 37"	2,500 lb (1,000 kg)	265 lb
Stainless Steel			
77967	30" x 31"	1,000 lb (500 kg)	205 lb
77968	30" x 31"	2,500 lb (1,000 kg)	205 lb
77969	36" x 37"	1,000 lb (500 kg)	265 lb
77970	36" x 37"	2,500 lb (1,000 kg)	265 lb
Stainless Steel with Stainless Steel Welded-Seal (IP67) Load Cells			
77971	30" x 31"	1,000 lb (500 kg)	205 lb
77972	30" x 31"	2,500 lb (1,000 kg)	205 lb
77973	36" x 37"	1,000 lb (500 kg)	265 lb
77974	36" x 37"	2,500 lb (1,000 kg)	265 lb

ROUGHDECK BDP PORTABILITY KITS

Kits include:

- Frame
- Two swivel and two fixed zinc plated steel NSF approved wheels (75 lb max. load capacity)
- Indicator stand (suitable for IQ plus® 310, 320IS, 320IS plus, IQ plus® 355, IQ plus® 390, IQ plus® 590, IQ 700, UMC444 and UMC555)

PART # DESCRIPTION

PART #	DESCRIPTION	EST. SHIP WT
Mild Steel		
78021	For use with 30" x 31" scale	90 lb
78022	For use with 36" x 37" scale	100 lb
Stainless Steel		
78023	For use with 30" x 31" scale	90 lb
78024	For use with 36" x 37" scale	100 lb

HINGED ACCESS RAMPS

For use with portability kit

PART # SIZE (W x L)

PART #	SIZE (W x L)	EST. SHIP WT
Mild Steel		
78015	29.25" x 12" (sold individually)	25 lb
78016	35.25" x 12" (sold individually)	30 lb
Stainless Steel		
78017	29.25" x 12" (sold individually)	25 lb
78018	35.25" x 12" (sold individually)	30 lb

DIMENSIONS W/PORTABILITY FRAME & HINGED ACCESS RAMPS

30" x 31" Models

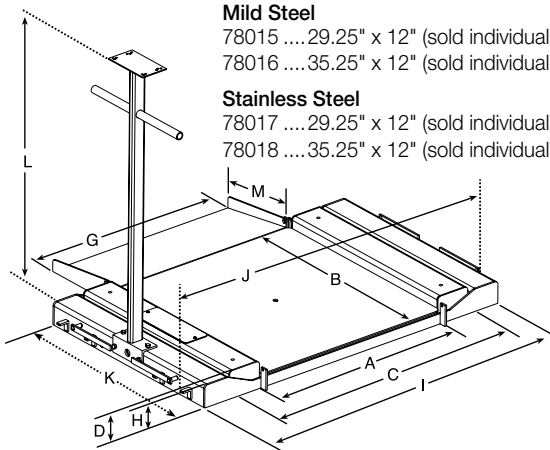
A: 30.0" (762 mm)	I: 49.25" (1250.9 mm)
B: 31.0" (787.4 mm)	J: 52.25" (1327.1 mm)
C: 40.0" (1016 mm)	K: 31.12" (790.4 mm)
D: 3.66" (92.9 mm)	L: 40.37" (1025.4 mm)
G: 29.25" (742.9 mm)	M: 12.0" (304.8 mm)
H: 3.25" (82.5 mm)	

36" x 37" Models

A: 36.0" (914.4 mm)	I: 55.25" (1403.4 mm)
B: 37.0" (939.8 mm)	J: 58.25" (1479.5 mm)
C: 46.0" (1168.4 mm)	K: 37.12" (942.8 mm)
D: 3.66" (92.9 mm)	L: 40.37" (1025.4 mm)
G: 35.25" (895.3 mm)	M: 12.0" (304.8 mm)
H: 3.25" (82.5 mm)	

Distance from floor to top of center weighing surface: 1.94" (49.2 mm)

Distance from floor to bottom of weighing surface: 0.62" (15.7 mm)



Specifications subject to change without notice

PART #	SIZE (W X L)	CAPACITY (CANADIAN APPROVED CAPACITIES)	EST. SHIP WEIGHT	PRICE
BDP Scale				
Mild Steel				
77962	30" x 31"	1,000 lb (500 kg)	205 lb	\$1,495.00
77963	30" x 31"	2,500 lb (1,000 kg)	205 lb	1,495.00
77964	36" x 37"	1,000 lb (500 kg)	265 lb	1,595.00
77965	36" x 37"	2,500 lb (1,000 kg)	265 lb	1,595.00
Stainless Steel				
77967	30" x 31"	1,000 lb (500 kg)	205 lb	3,395.00
77968	30" x 31"	2,500 lb (1,000 kg)	205 lb	3,395.00
77969	36" x 37"	1,000 lb (500 kg)	265 lb	3,495.00
77970	36" x 37"	2,500 lb (1,000 kg)	265 lb	3,495.00
Stainless Steel with Stainless Steel Welded-Seal (IP67) Load Cells				
77971	30" x 31"	1,000 lb (500 kg)	205 lb	3,695.00
77972	30" x 31"	2,500 lb (1,000 kg)	205 lb	3,695.00
77973	36" x 37"	1,000 lb (500 kg)	265 lb	3,795.00
77974	36" x 37"	2,500 lb (1,000 kg)	265 lb	3,795.00
Portability Kits				
Kits include:				
<ul style="list-style-type: none"> • Frame • Two swivel and two fixed zinc plated steel NSF approved wheels (75 lb max. load capacity) • Indicator stand (suitable for IQ plus® 310, 320IS, 320IS plus, IQ plus® 355, IQ plus® 390, 420 plus, IQ plus® 590, IQ 700, UMC444 and UMC555) 				
Mild Steel				
78021	For use with 30" x 31" scale		90 lb	650.00
78022	For use with 36" x 37" scale		100 lb	700.00
Stainless Steel				
78023	For use with 30" x 31" scale		90 lb	975.00
78024	For use with 36" x 37" scale		100 lb	1,030.00
Hinged Access Ramps				
For use with portability kit				
Mild Steel				
78015	29.25" x 12" (sold individually)		25 lb	175.00
78016	35.25" x 12" (sold individually)		30 lb	175.00
Stainless Steel				
78017	29.25" x 12" (sold individually)		25 lb	295.00
78018	35.25" x 12" (sold individually)		30 lb	295.00