

CONDEC™ UMC555

Digital Weight Indicator



Standard Features

- Four-button operation
- Mild steel NEMA 1 enclosure
- Tilt stand base
- Front-panel calibration
- Zero, net/gross, tare and print keys

Approvals



Measurement
Canada
Approved

Specifications

EXCITATION VOLTAGE:

10 VDC, fixed, short-circuit proof
Load cell current:
240 mA maximum (8 350Ω load cells)

ANALOG SIGNAL INPUT RANGE:

0.7 mV/V - 2.0 mV/V "high span"
1.7 mV/V - 3.2 mV/V "low span"

CONVERSION RATE AT FULL SCALE:

10 updates per second, no averaging

RESOLUTION:

10,000 displayed graduations
80,000 internal graduations

DISPLAY:

6-digit, 0.6" (15.2 mm) red Light
Emitting Diode (LED) Display

FRONT-PANEL CONTROL SWITCHES:

Zero, Gross/Net, Tare, Print

FRONT-PANEL ANNUNCIATORS:

Center Zero, Net, lb, kg, Motion (Red bar
LEDs)

SERIAL OUTPUT:

Port 1: Full duplex RS-232*, 20 mA current
loop (optional RS-485/422)
Port 2: Simplex RS-232*, 20 mA
current loop

*Floating ground may require isolation

POWER INPUT:

115/230 VAC, 50/60 Hz, or external DC
Power consumption: 15 watts

OPERATING TEMPERATURE:

14°F to 104°F (-10°C to 40°C)

RATING/MATERIAL:

Mild steel, NEMA 1 general purpose, tilt
stand base standard

WEIGHT:

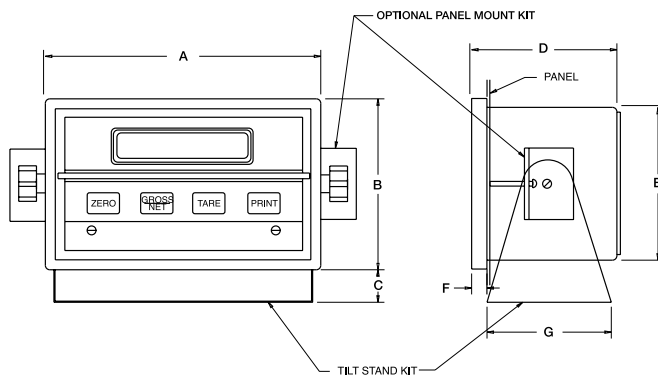
Approximately 5.5 lb (2.5 kg)

APPROVALS:

NTEP-certified, CC# 00-005;
Measurement Canada approved,
MALSWA-4408 rev. 4

WARRANTY:

Two-year limited warranty



DIMENSIONS

A = 7.75" (196.8 mm)	D = 4.09" (103.9 mm)
B = 4.81" (122.2 mm)	E = 4.31" (109.5 mm)
C = 0.92" (23.4 mm)	F = 0.43" (10.9 mm)
or 2.06" (52.3 mm)	G + 3.50" (88.9 mm)

PART #	DESCRIPTION	EST. SHIP WEIGHT	PRICE
115 VAC			
19189	UMC555AAAC, w/tilt stand.....	7.5 lb.....	\$850.00
61959	UMC555BAAC, w/panel mount brackets.....	7.5 lb.....	850.00
61178	UMCCAAC, uncased board set.....	7.5 lb.....	655.00
61224	UMC555AACC, w/tilt stand, parallel BCD.....	7.5 lb.....	1,415.00
61237	UMC555AADC, w/tilt stand, analog output 0-10 VDC; Analog output 4-20 mA.....	7.5 lb.....	1,415.00
61869	UMC555AAAC-35, w/tilt stand, w/internal BCD.....	8 lb.....	1,050.00
64572	UMC555BAAC-35, w/panel mount brackets, w/internal BCD.....	8 lb.....	1,050.00
12 VDC (External input)			
61363	UMC555CCAC, uncased board set, 12 VDC.....	7.5 lb.....	650.00
62269	UMC555BCAC, w/panel mount brackets, 12 VDC.....	7.5 lb.....	800.00
61373	UMC555ACAC, w/tilt stand, 12 VDC.....	7.5 lb.....	800.00
230 VAC			
61279	UMC555ABAC, w/tilt stand.....	7.5 lb.....	850.00
62112	UMC555BBAC, w/panel mount brackets.....	7.5 lb.....	850.00
Options/Accessories			
19576	BCD output, external, 115 VAC.....		565.00
55458	BCD output, external, 230 VAC.....		565.00
60048	BCD output, internal assembly.....		200.00
19578	Analog output, 0-10/4-20 mA, 115 VAC.....		565.00
16815	Technical manual.....		89.00
55262	Panel mount brackets.....		45.00

UMC555 PART NUMBERING GUIDE

UMC555 () () () ()

ENCLOSURE

- A = Mild steel painted enclosure with tilt stand
- B = Mild steel painted enclosure with panel mount kit*
- C = Uncased board set

INPUT POWER

- A = 115 VAC, 60 Hz
- B = 230 VAC, 50 Hz
- C = 12 VDC (external output)

OPTIONS

- A = Standard RS-232
- C = Parallel BCD, 115 VAC (PN 19576)
- D = Analog output 0-10 VDC; analog output 4-20 mA (115 VAC part #19578) (230 VAC #55469)

LOAD CELL TERMINATION

- C = RFI - shielded

* Panel mount kit is not NEMA rated

All other part number configurations are available as special order units.