

SURVIVOR® LaserLight® M-Series



*SURVIVOR LaserLight M-Series
8-character display*

12-character display also available

Standard Features

- Available with 8-character and 12-character display
- 2.75" high-intensity red character (discrete LED)
- Four annunciators for gross, net, lb, kg
- Auto Learn mode of communication protocols
- Display messages scroll, slide and flash
- Hold displayed weight (demand input)
- Software selectable stand still mode, no updates while in motion
- Software configuration menu
- Durable weather-tight enclosure
- Adjustable daylight/night intensity
- Non-glare contrast filtered lens
- Mirror function
- RS-232, 20 mA, and RS-485 communications
- Auto sensing 115/230 VAC power supply
- Porous polyethylene breather vent

Specifications

DISPLAY:

2.75" digit; 5 x 7 dot matrix using discrete oval precision optical performance red LED lamps
Contrast enhancement optical filtering
1- or 2-place decimal or comma indication
4 annunciators for GR, NT, lb, kg

INPUT INTERFACE:

RS-232, RS-485, 20 mA current loop (active or passive, switch selectable)

OUTPUT INTERFACE:

Independently configurable echo out port, RS-232 or 20 mA current loop (active or passive, switch selectable)

INPUT DATA FORMAT:

Baud Rate: 1200, 2400, 4800, 9600, and 19,200 self learning or software selectable
Character Format: 7 or 8 data bits; even, odd, or no parity; 1 or 2 stop bits, self learning or software selectable

UPDATE:

Continuous or out-of-motion only; software selectable

POWER CONSUMPTION:

8-character: 21 watt
12-character: 27 watt

TIME OPTION:

Software enable/disable, 12- or 24-hour format

DATE OPTION:

Software enable/disable, US or ISO format

TEMPERATURE OPTION:

Software selectable °F or °C, temperature probe automatically detected

RATING/MATERIAL:

Weather proof, mild steel, powder coated

WEIGHT:

8-character: 16 lb (7 kg)
12-character: 22 lb (10 kg)

OPERATING TEMPERATURE RANGE:

-40°F to 120°F (-40°C to 48.8°C)

WARRANTY:

Two-year limited warranty

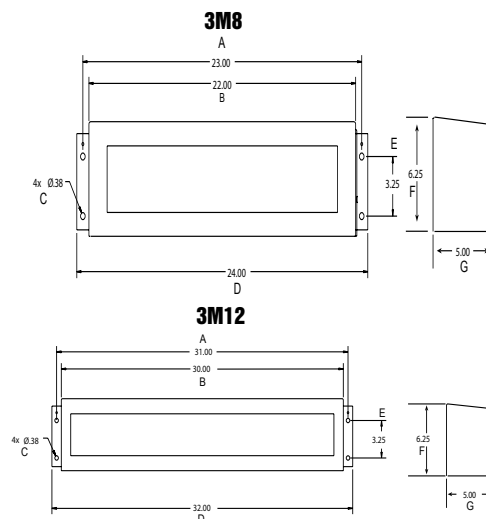
DIMENSIONS

3M8 Enclosure

A=23.00" (584 mm)
B=22.00" (559 mm)
C=4x 0.38" (10 mm)
D=24.00" (610 mm)
E=3.25" (83 mm)
F=6.25" (159 mm)
G=5.00" (127 mm)

3M12 Enclosure

A=31.00" (787 mm)
B=30.00" (762 mm)
C=4x 0.38" (10 mm)
D=32.00" (813 mm)
E=3.25" (83 mm)
F=6.25" (159 mm)
G=5.00" (127 mm)



SURVIVOR[®] LaserLight[™] M-Series

PART #	DESCRIPTION	EST. SHIP WEIGHT	PRICE
85137	SURVIVOR LaserLight 3M8 8-character remote display	22 lb	\$1395.00
85152	SURVIVOR LaserLight 3M12 12-character remote display	27 lb	1745.00
Options/Accessories			
75853	Time and date		125.00
43412	Temperature		125.00
75854	3M8 visor (not required for weather protection), field installable		95.00
75855	3M12 visor (not required for weather protection), field installable		120.00
85343	3M8 LaserLight pole mount kit		125.00
85344	3M12 LaserLight pole mount kit		150.00
75936	Additional operating manual		25.00
103178	Wireless RFI Interface, ConnexLink Radio package		695.00
93249	Fiber Optic Interface, 2 transceivers (fiber optic cable sold separately)		595.00

Remote Displays