

## SURVIVOR® LaserLight® Series Remote Displays



LaserLight 4"



LaserLight 4" with stop and go lights

### Standard Features

- Six high-intensity red digits (double-row discrete LED)
- Four high-intensity red annunciators for gross, net, lb, kg
- Available in 4" (101 mm) and 6" (152 mm) digit sizes
- Auto Learn mode of communication protocols
- Hold displayed weight (demand input)
- Software selectable stand still mode, no updates while in motion
- Software configuration menu
- Durable weather-tight enclosure
- Adjustable daylight/night intensity
- Non-glare contrast filtered lens
- Mirror function
- RS-232, 20 mA, and RS-485 communications
- Auto sensing 115/230 VAC power supply
- 6" (152 mm) LaserLight enclosure mounting holes match SURVIVOR IQ F40 Series remote display
- Porous polyethylene breather vent

### Specifications

#### DISPLAY:

6 digit, 7 segment discrete oval precision optical performance red LED lamps  
 Contrast enhancement optical filtering  
 1- or 2-place decimal or comma indication  
 4 annunciators for GR, NT, lb, kg  
 Red, green 4" light (manual switch or serial command)

#### INPUT INTERFACE:

RS-232, RS-485, 20 mA current loop (active or passive, switch selectable)

#### OUTPUT INTERFACE:

Independently configurable echo out port, RS-232 or 20 mA current loop (active or passive, switch selectable)

#### INPUT DATA FORMAT:

**Baud Rate:** 1200, 2400, 4800, 9600, and 19,200 self learning or software selectable

**Character Format:** 7 or 8 data bits; even, odd, or no parity; 1 or 2 stop bits, self learning or software selectable

#### UPDATE:

Continuous or out-of-motion only; software selectable

#### POWER CONSUMPTION:

4" (101 mm): 21 watt  
 6" (152 mm): 27 watt

#### TIME OPTION:

Software enable/disable, 12- or 24-hour format

#### DATE OPTION:

Software enable/disable, US or ISO format

#### TEMPERATURE OPTION:

Software selectable °F or °C, temperature probe automatically detected

#### RATING/MATERIAL:

Weather proof, mild steel, powder coated

#### WEIGHT:

4" (101 mm): 20 lb (9 kg)  
 6" (152 mm): 25 lb (11 kg)

#### OPERATING TEMPERATURE RANGE:

-40°F to 120°F (-40°C to 48.8°C)

#### WARRANTY:

Two-year limited warranty

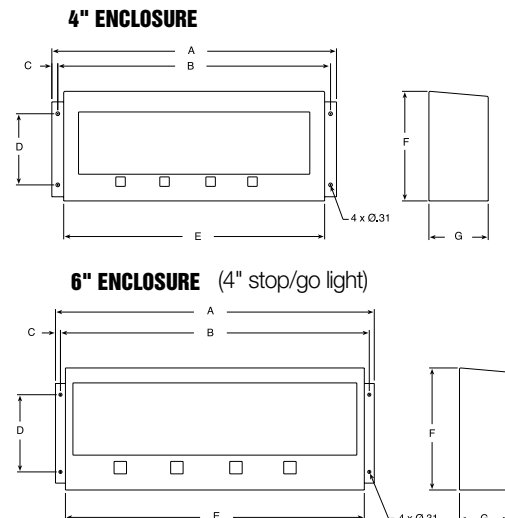
### DIMENSIONS

#### 4" (100 mm) Enclosure

A = 24.0" (609 mm)  
 B = 23.0" (584 mm)  
 C = 0.5" (12 mm)  
 D = 6.0" (152 mm)  
 E = 22.0" (558 mm)  
 F = 9.25" (234 mm)  
 G = 5.0" (127 mm)

#### 6" (150 mm) Enclosure

A = 32.0" (812 mm)  
 B = 31.0" (787 mm)  
 C = 0.5" (12 mm)  
 D = 7.75" (196 mm)  
 E = 30.0" (762 mm)  
 F = 12.25" (311 mm)  
 G = 5.0" (127 mm)



# SURVIVOR® LaserLight® Series

PART #	DESCRIPTION	EST. SHIP WEIGHT	PRICE
75850	SURVIVOR LaserLight 4" (101 mm) remote display	22 lb	\$1,395.00
75852	SURVIVOR LaserLight 6" (152 mm) remote display	27 lb	1,845.00
87172	SURVIVOR LaserLight 4" (101 mm) remote display, stainless steel	22 lb	1,995.00
103181	SURVIVOR LaserLight 4" with red/green stop/go light		1,795.00
<b>Options/Accessories</b>			
75853	Time and date		125.00
43412	Temperature		125.00
93250	Wireless RFI Interface, ConnexLink Radios package		695.00
93249	Fiber Optic Interface, 2 transceivers (fiber optic cable sold separate)		595.00
75854	4" (101 mm) visor (not required for weather protection), field installable		95.00
75855	6" (152 mm) visor (not required for weather protection), field installable		120.00
75856	4" (101 mm) LaserLight pole mount kit for 4" to 8" pole		125.00
77775	6" (152 mm) LaserLight pole mount kit for 4" to 8" pole		175.00
75936	Additional operating manual		25.00

\* LaserLight 6" fits into existing SURVIVOR® IQ F40 holes