

# Rice Lake RS-130 Battery-Operated Price Computing Scale



## Approvals



Measurement  
Canada  
Approved

## Standard Features

- Rechargeable battery or 115 VAC operation
- Toggle between lb/kg/oz\*
- Eight PLU keys for direct price lookups
- Cash back calculation
- Large stainless steel platter
- Easy-to-read customer display
- In-use cover
- 89 PLUs for indirect price lookups
- Battery charge indicator
- Internal sealed battery included
- NTEP-certified Legal-for-Trade

\*Ounces not available in Measurement Canada Approved Model

## Specifications

### CAPACITY/GRADUATIONS:

30 lb x 0.01 lb  
15 kg x 0.005 kg  
480 oz x 0.2 oz

### DISPLAY ITEMS:

Weight: 5 digits  
Unit price: 5 digits  
Total price: 6 digits

### ACCURACY:

1/3000

### DISPLAY:

LCD, 0.453" (11.5 mm) character

### POWER SOURCE:

115/230V  $\pm 10\%$ , 50/60Hz

### BATTERY LIFE:

100+ run hours

### WEIGHT:

10 lbs (4.5 kg)

### PRESET KEY:

Eight direct price lookups  
89 indirect price lookups by  
PLU number

### ENCLOSURE SIZE:

Platter: 11.8" W x 9.5" D  
Overall: 12.3" W x 13.0" D x 4.7" H

### OPERATING TEMPERATURE:

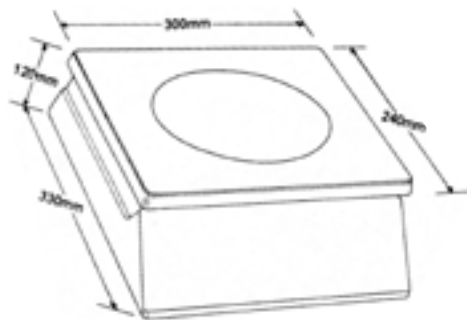
32°F to 104°F (0° to 40°C)

### WARRANTY

One-year limited warranty

### CLASSIFICATION:

NTEP-Certified, 04-067,  
Class III 3000d  
Measurement Canada Approved:  
AM-5565



## DIMENSIONS

Unit	Stainless Steel Platter
13.0 x 4.7" (330 mm x 120 mm)	9.5" x 11.8" (240 mm x 300 mm)

# RS-130

PART #	MODEL	CAPACITY	WEIGHT	EST. SHIP PRICE
85608	RS-130	30 lb x 0.01 lb	13 lb	\$354.00
94586*	RS-130 (no ounce)	30 lb x 0.001	13 lb	354.00
<b>Options/Accessories</b>				
85772	Additional operating manual			15.00
85773	Additional calibration instructions			5.00
85711	Additional in-use cover			5.00
47976	Fish platter			75.00
47977	Produce platter			75.00

\*Ounces not available in Measurement Canada Approved model